



Rear Transition Module for the ATS1936

Advanced TCA[®]



Diversified Technology's TM1936-SFP+ rear transitional module expands the external connectivity of the ATS1936 with additional ingress/egress ports. It supports many different types of SFP and SFP+ modules allowing the board to be used in diverse ways and is ideal for use in optical networks. By supporting both 1G and 10G ports the TM1936-SFP+ can be used in both current 1G and future 10G networks. The TM1936-SFP+ fully supports managing the ATS1936 from the rear in addition to the ingress/egress ports it provides.

Product Features

ATCA PICMG 3.0 RTM for the ATS1936

PICMG 3.0 R2.0 ECN002 compliant

Base PICMG 3.0 Ethernet interface:

- (2) 1000Base-SX/LX ports
- (2) 10GBase-LRM ports

Fabric PICMG 3.1 Ethernet interface:

- (4) 1G/10GBase-LRM ports

All 10G ports support 10GBASE-SR, 10GBASE-LR, and 10GBASE-LRM Limiting and Linear SFP+ modules

Fabric 10G ports also support 1000Base-SX, 1000Base-LX, and 1000Base-T SFP modules

1G ports support 1000Base-SX, 1000Base-LX, and 1000Base-T SFP modules

Serial console RJ45 port

10/100Base-TX management port

FRU record

Temperature sensor

Mechanical

- Conforms to PICMG 3.0 R2.0 (Core) & ECN002

Power Requirements

Max Power Dissipation: <30W with max power SFP+ modules installed

Environmental

Operating

- Temperature: -5° to 55°C
- Humidity (RNC): 10% to 85% non-condensing
- Altitude: 4,000m / 13,000 ft @40°C
- Shock: 10g 11ms half-sine
- Vibration: 5-100Hz @ 1g sine sweep
Random 5-20Hz @ 0.01g2/Hz; 20-500 -3dB slope

Storage and Transit

- Temperature: -40° to 70°C
- Humidity (RNC): 10% to 90% non-condensing
- Altitude: 12,192m / 40,000 ft
- Shock: 40g 6ms half-sine, 500/axis
- Vibration: 5-50Hz @ ½g 50-100Hz @ 3g sine sweep
Random 5-20Hz @ 0.01g2/Hz; 20-500 -3dB slope

Reliability and Serviceability

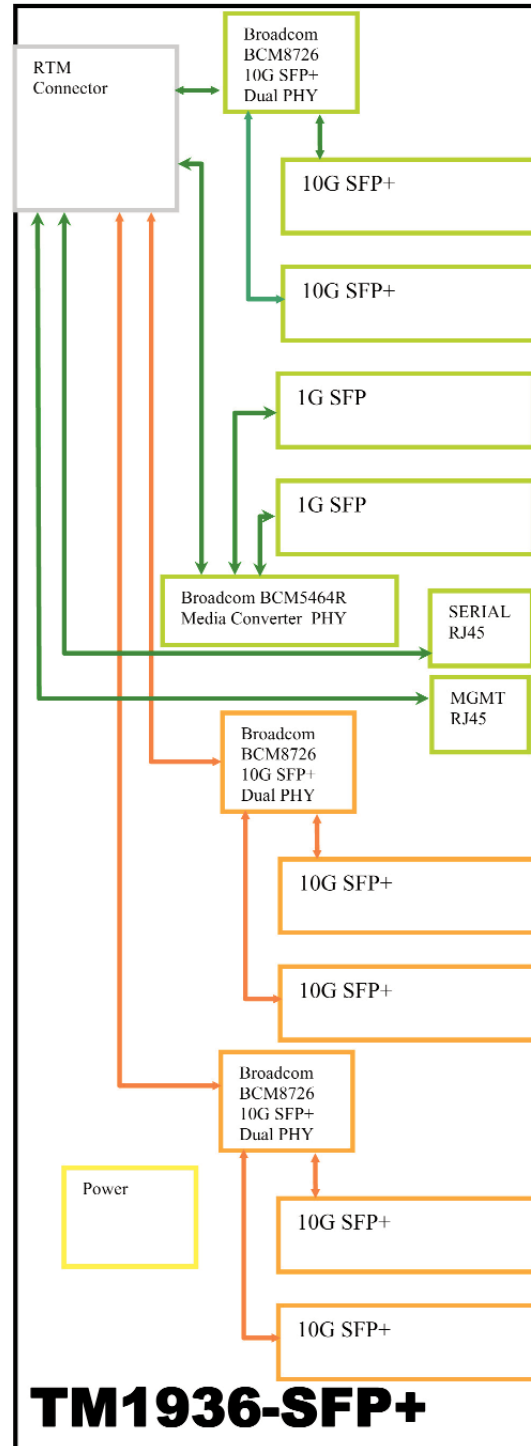
- MTBF: 716,827 hours
- 2 year limited warranty

Regulatory Compliance

- Designed for NEBS/ETSI Compliance
- CE Certification with national deviations
- Safety: UL/cUL 60950-1:2007;
TUV CB EN/IEC 60950-1:2001
- EMI/EMC: FCC 47 CFR Part 15 Class B; EN 55022:2006;
EN 55024:1998

Ordering Information

TM1936-SFP+
10G SFP+ RTM for the ATS1936



All products are shipped FOB factory (MS). Specifications subject to change without notice. Trademarks are the property of their respective owners. (C) Copyright 2009 by Diversified Technology, Inc. All rights reserved.