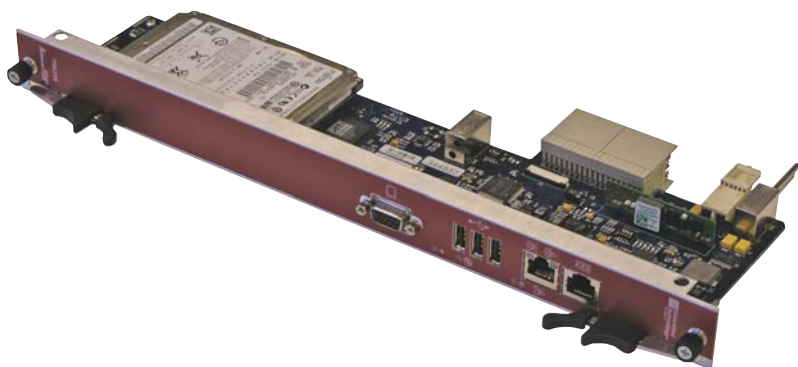




Rear Transition Module for the ATC6239

Advanced TCA[®]



Diversified Technology's TM6239 rear transitional module expands the external connectivity of the ATC6239 with additional I/O ports, VGA interface, USB ports, and hard drive storage capability. The TM6239 fully supports managing the ATC6239 from the rear by providing additional peripherals interfaces for standard I/O application.

Product Features

ATCA PICMG 3.0 RTM for ATC6239

PICMG 3.0 R2.0 ECN002 compliant

Compliant to the Standard ATCA RTM Interface Definition Rev. 1.94x_CS on Zone 3

Serial console RJ45 port

10/100/1000Base-TX RJ45 port

Three USB 2.0 compatible Ports

Standard DB15 VGA port

SAS Controller supports a 2.5 inch SAS/SATA hard drive interface connector

SATA from front board (build time option)

Full standard MMC interface for management which is treated as an AMC module

FRU record

Temperature sensor

Mechanical

- Conforms to PICMG 3.0 R2.0 (Core) & ECN002

Power Requirements

Max Power Dissipation: <46W with max power 2.5" hard drive installed

Environmental

Operating

- Temperature: -5° to 55°C
- Humidity (RNC): 10% to 85% non-condensing
- Altitude: 4,572m / 15,000 ft
- Shock: 50g
- Vibration: 5-500MHz @ .5g RMS random

Storage and Transit

- Temperature: -40° to 70°C
- Humidity (RNC): 10% to 90% non-condensing
- Altitude: 12,192m / 40,000 ft
- Shock: 40g 6ms half-sine, 500/axis
- Vibration: 5-50Hz @ 0.5g 50-100Hz 3g sine sweep
Random 5-20Hz @ 0.01g2/Hz; 20-500 -3dB slope

Reliability and Serviceability

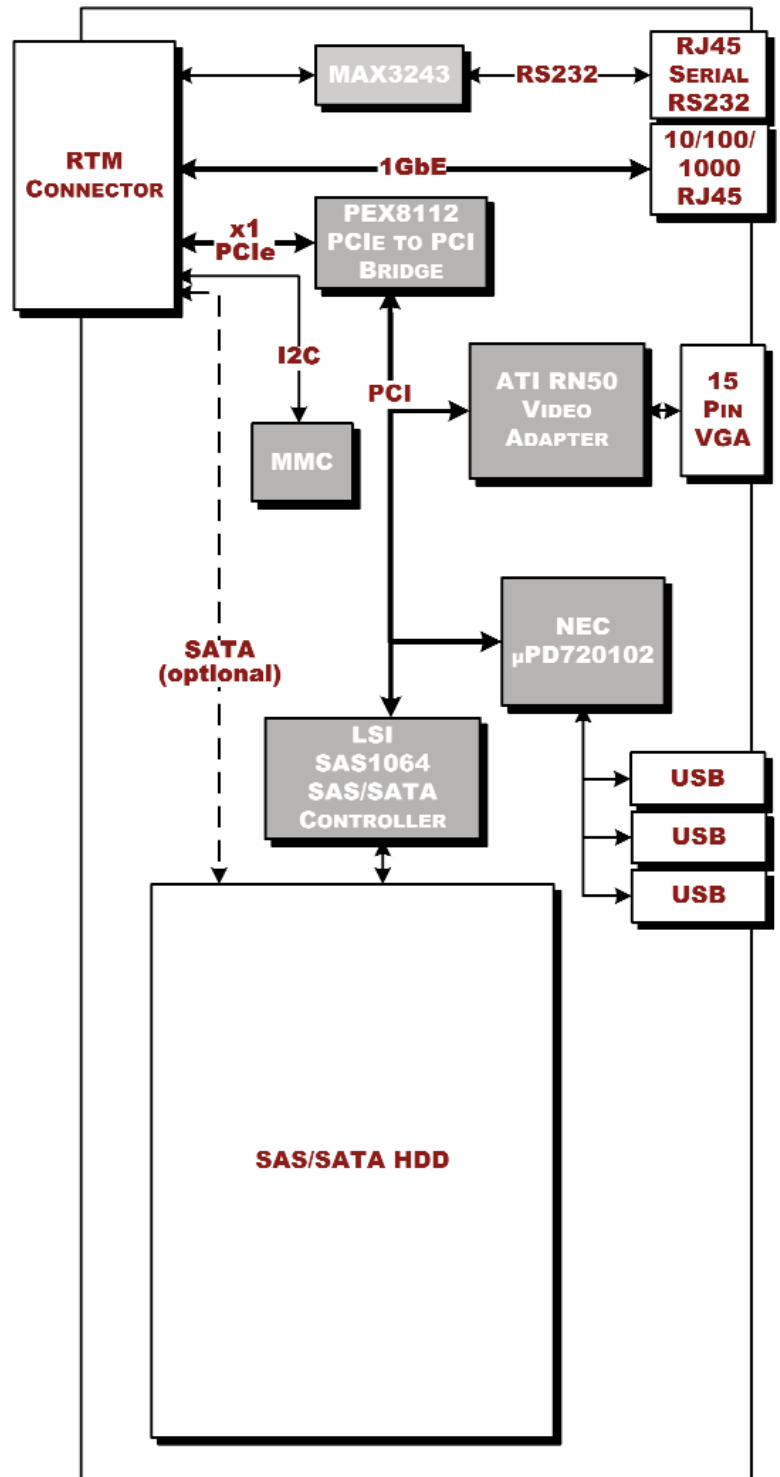
- MTBF: 491,204 hours
Computed using Telcordia Issue 1, Method I, Case 3, assuming 25°C in a ground benign, controlled environment
- 2 year limited warranty

Regulatory Compliance

- Designed for NEBS/ETSI Compliance
- CE Certification with national deviations
- Safety: UL/cUL 60950-1:2003; TUV CB EN/IEC 60950-1:2001
- EMI/EMC: FCC 47 CFR Part 15 Class B; EN 55022:2006; EN 55024:1998

Ordering Information

TM6239
RTM for the ATC6239



All products are shipped FOB factory (MS). Specifications subject to change without notice. Trademarks are the property of their respective owners. (C) Copyright 2009 by Diversified Technology, Inc. All rights reserved.